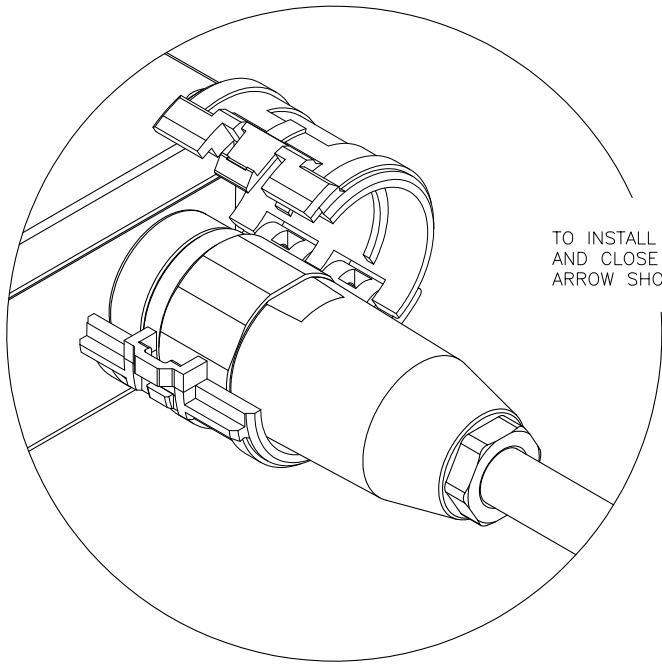


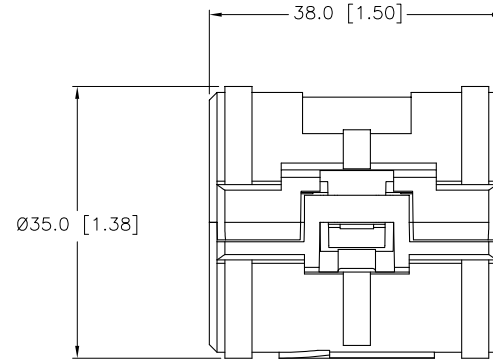
SPECIFICATIONS

HOUSING MATERIAL/COLOR

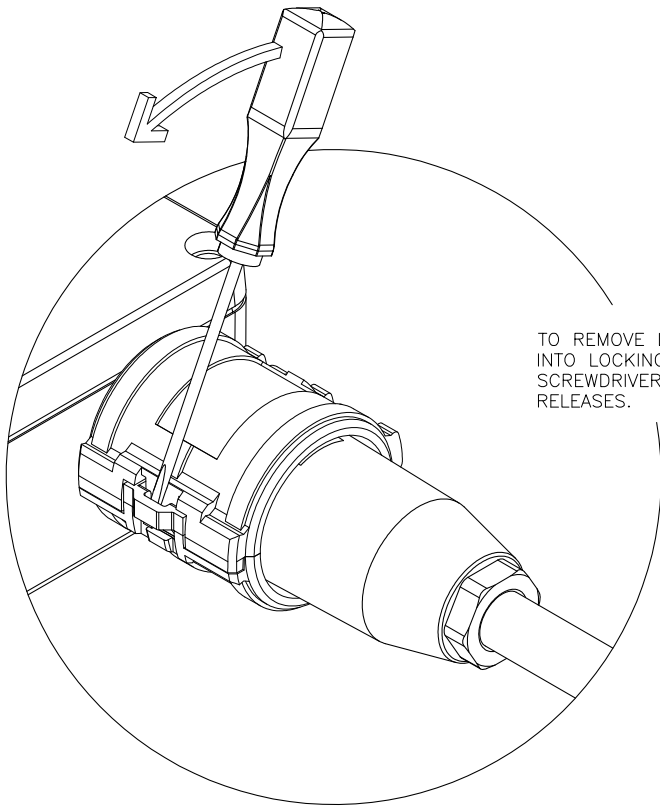
NYLON 66/BLACK



TO INSTALL LOCKOUT DEVICE, PLACE AROUND CORDSET END AND CLOSE UNTIL CONNECTOR SNAPS CLOSED. ARROW SHOULD POINT TOWARDS THE CONNECTOR.



LOCKOUT DEVICE FITS ALL STRAIGHT TURCK/TURCK MINIFAST FIELD WIREABLE CONNECTORS.



TO REMOVE LOCKOUT DEVICE, INSERT SMALL SCREWDRIVER INTO LOCKING GROOVE AS SHOWN IN PICTURE. ROTATE SCREWDRIVER IN DIRECTION SHOWN UNTIL LOCKING DEVICE RELEASES.

SOURCE DRAWING - FOR REFERENCE ONLY

RELATED DOCUMENTS 1. 9-RDV-166 2. 3. 4.		3RD ANGLE PROJECTION 		THIS DRAWING IS PROPERTY OF TURCK INC. USE OF THIS DOCUMENT WITHOUT WRITTEN PERMISSION IS PROHIBITED.		3000 CAMPUS DRIVE MINNEAPOLIS, MN 55441 1-800-544-7769 (763) 553-7300 (763) 553-0708 fax turck.com	
MATERIAL		DRFT	RDS	DATE	01/22/02	DESCRIPTION	
FINISH		DSGN	DF	SCALE	1=1.0	SHLD-MINI-FW (10/PKG)	
ALL DIMENSIONS DISPLAYED ON THIS DRAWING ARE FOR REFERENCE ONLY CONTACT TURCK FOR MORE INFORMATION		UNIT OF MEASUREMENT		IDENTIFICATION NO.		REV	
		MILLIMETERS		U7983		C	
C CONVERT DRAWING TO TURCK FORMAT REV DESCRIPTION		CBM	08/30/04	11884	DO NOT SCALE THIS DRAWING		FILE: u7983
BY	DATE	ECO NO.			SHEET 1 OF 1		